

TECHWEIGH TW-S2 CRANE SCALE PACKAGE

1) TW-S2 Load Cell

Standard Features

- Steel Shell
- Transferable units of kg and lb
- Accuracy Class: OIML III
- Taring Range: 100% scale capacity
- Display Steady Time: 5-10 seconds
- Ultimate Safety Factor: 4
- Maximum Safety Overload: 125% scale capacity
- Effective wireless transmission distance >100m
- Sealed and maintenance-free rechargeable batteries



3) DP100-A LED Display



Standard Features

- I. Can work alone:
 - Super-bright LED display (word height: 100mm)
 - Three-dot linear calibration
 - Automatic zero tracking
 - Automatic battery voltage detection when turn-on
 - Automatic standby and economic power mode in 5 minutes and shut-off in 1.5 hours without use
 - Adjustable acceleration of gravity
 - Can work together with TW3168E indicator

2) TW3168E Desktop Instrument

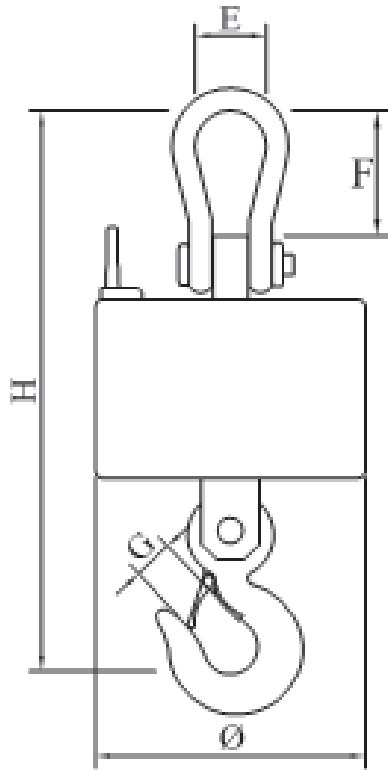


Standard Features

- 240*64 dot-graphic backlight LCD display with manual-type operation
- Adjustable acceleration of gravity
- Three-dot linear calibration
- Automatic zero tracking
- Automatic battery voltage detection when turn-on
- Automatic standby and economic power mode in 5 minutes and shut-off in 1.5 hours without use
- Internal clock and calendar
- Internal micro printer with accessible connections to RS232 or large screen display

TECHWEIGH

Specifications & Dimensions



Model	Capacity (kg)	Graduation (kg)	Dimensions:				
			H	E	F	G	Ø
TW-1-S2	1000	.5	475	56	65	22	270
TW-2-S2	2000	1	490	56	65	25	270
TW-3-S2	3000	1	510	56	65	32	270
TW-5-S2	5000	2	595	72	90	36	270
			620*	85	115		
TW-10-S2	10000	5	690	90	110	50	270
			750*	110	160		
TW-15-S2	15000	5	885	140	230	60	320
TW-20-S2	20000	10	930	140	230	70	320
TW-30-S2	30000	10	1110	160	260	90	350
TW-40-S2	40000	20	1200	180	220	110	420
			1270*	180	290		
TW-50-S2	50000	20	1310	200	270	110	420
			1380*	230	340		

* Option, extended shackle

TECHWEIGH