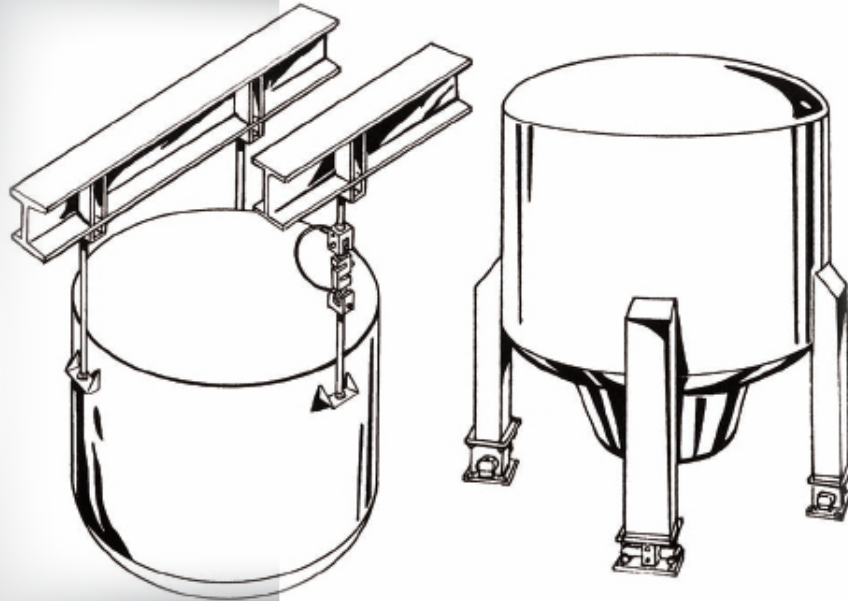


Storage Tank & Hopper Scales

Description:

Scales designed to retrofit into your existing tanks and hoppers. Technical Weighing Services, INC., will also supply new tanks and bins for new sites.



Specifications:

- Load cell bearing assemblies up to 1,000,000 lbs.
- Scales designed in compensation or tension
- Fast inexpensive installation
- Digital weight instrument

Options:

- Single weight instrument, multiple bin weighing
- Keyboard entry setpoint control relays
- Printers, remote displays and computer interfaces
- Instrumentation from simple weighing to control systems

TECH WEIGH