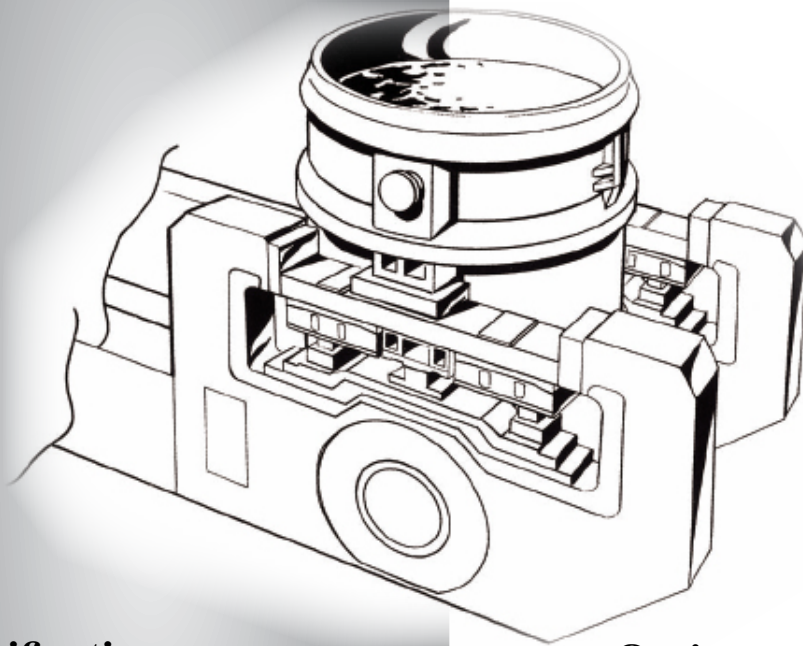


Turret Scales

Description:

The caster turret arm ladle scale weighs the ladle while in both the cast position and the load position. Scales are designed to fit existing arms with weigh modules containing double-ended shear beam load cells.



Specifications:

- Ladle self-aligning weighbridge
- Flexible plate checking system
- Floating load cell bearing assemblies
- Double-ended shear beam load cells
- 550 deg F. load cells
- Modular design

Options:

- Various instrumentation packages
- R.F. radio data transmission to pulpit
- Remote calibrations through R.F. radio
- Scoreboards, printers, computer interfaces
- Hydraulic testing and calibration stand
- Touch screen, PLC and digital control systems

TECH WEIGH