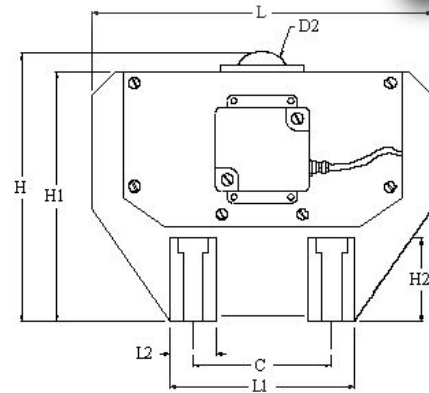
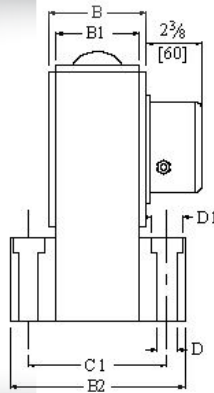


# TWS 104 Load Cell

The Model TWS-104 is a strain gage load cell that directly replaces the QGPL-104 ABB Pressductor load cell. By changing to strain gage technology, any strain gage instrument can now be used with these cells. The replacement cells will have the same body style and capacities as the ABB cells. The Tech Weigh load cell will replace all these capacities: -10MT to 160MT. The load cell utilizes the same mounting arrangement. No need for any mechanical alterations. Also utilizes the same cable, so no need for new cable runs.



## SPECIFICATIONS

Full Scale Output:	3mV/V
Bridge Resistance:	700 ohms, nominal
Material:	High-Alloy Steel
Temperature:	Range 0 to 150 deg. F High temperature available to 550 deg. F.
Safe overload:	150%
Maximum Overload:	300%
Rated Excitation:	20V AC/DC

Combined Error:	0.10% F.S.
Non-Repeatability:	0.03% F.S.
Insulation Resistance:	5000 megohms
Standard Cable length:	25 ft.
Color Code:	+ Excitation-Red - Excitation-Black + Signal-Green - Signal-White

# TECH WEIGH