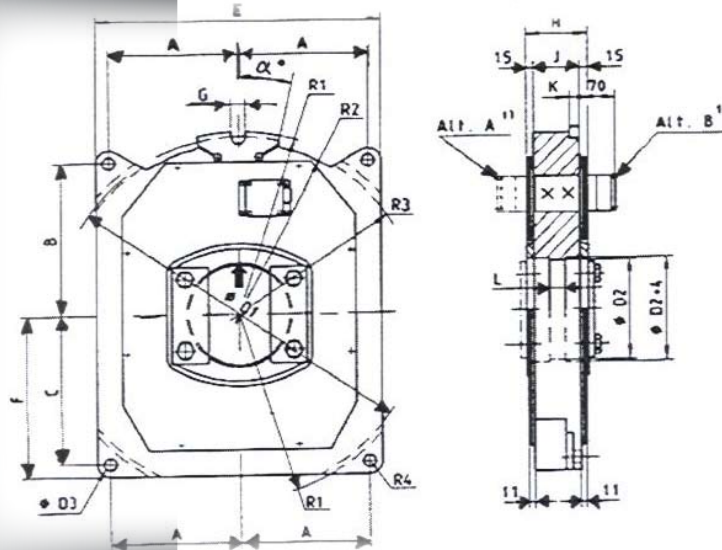
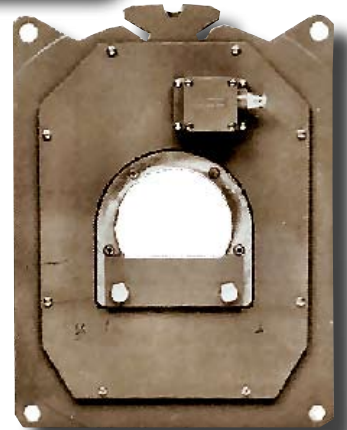


TWS-K105 Load Cell

The Model TWS-K105 is a strain gage load cell that directly replaces the QGPK-105 ABB Pressductor electromagnetic load cell. The replacement cells will have the same body style and capacities as the ABB cells. The Tech Weigh load cell will replace all these capacities: -6.3 tons to 160 tons. The load cell utilizes the same cable, so no need for new cable runs. High temperature compensation and cable options.



Dimensions (mm)

Metric Tons	A	B	C	D1	D2	D3	E	F	G	H	J	K	R1	R2	R3	R4	
6.3	145	180	170	400	80	16	320	185	16	80	50	15	210	190	198	15	12
10	155	205	195	450	100	20	350	215	20	100	70	20	235	215	223	20	10
16	185	215	205	500	120	20	410	225	20	100	70	20	260	240	248	20	12
25	200	270	260	600	160	24	450	285	20	100	70	20	310	290	298	25	13
40/63	250	300	290	700	200	24	550	315	28	120	90	20	360	340	348	25	13
100	265	355	340	800	240	30	590	370	28	150	120	25	410	390	398	30	15
160	295	395	380	900	280	30	650	410	32	150	120	25	460	440	448	30	17

SPECIFICATIONS:

Full Scale Output:	2m V/V	Combined Error:	0.10% F.S.
Bridge Resistance:	700 ohms, nominal	Non-Repeatability:	0.03% F.S.
Material:	High- Alloy Steel	Insulation Resistance:	5000 megohms
Temperature:	Range 0 to 150 deg. F	Standard Cable Length:	25 ft.
	High temperature available to 400 deg. F.	Color Code:	+ Excitation-Red - Excitation-Black + Signal Green - Signal White
Safe Overload:	150 %		
Maximum Overload:	300%		
Rated Excitation:	10V AC/DC		

TECH WEIGH