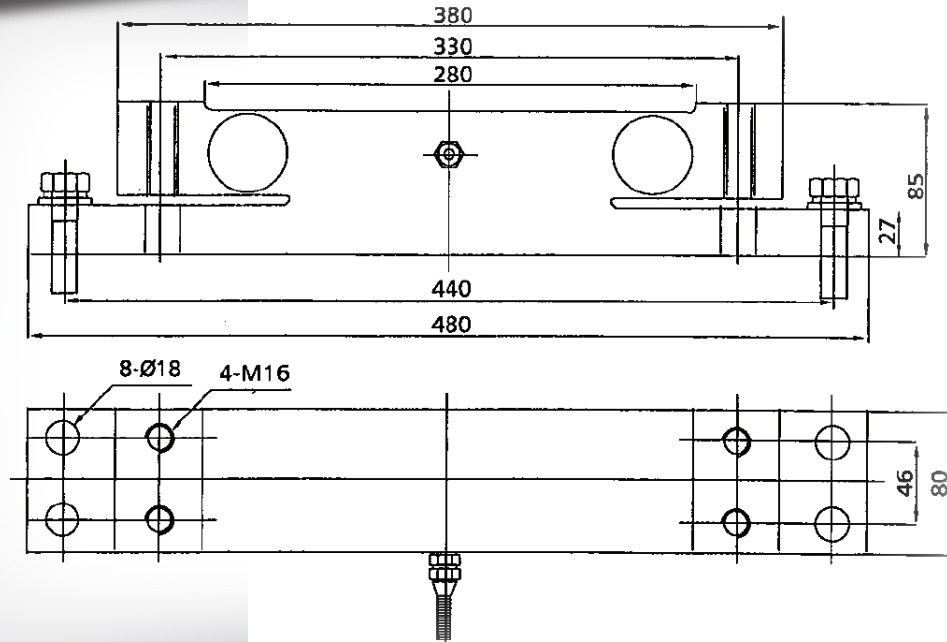
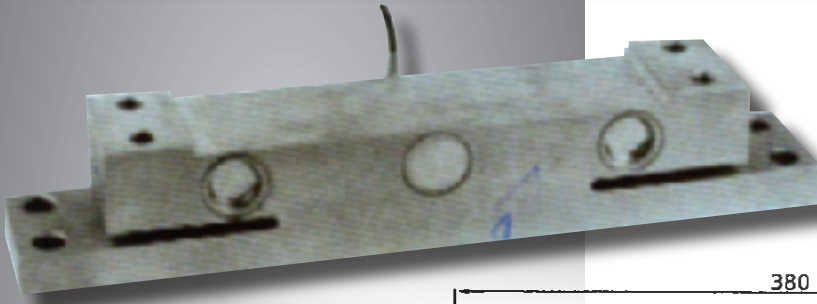


TW-QSNB-A



SPECIFICATIONS

Full Scale Output:	2 mV/V	Insulation Resistance:	5000megohms
Temperature:	Compensated range 14 deg. F to 392 deg. F -10 deg. C to 200 deg. C	Cable Length:	15ft./5m
Safe Overload:	120% Full Scale	Cable Coloring:	Red...+Excitation Black...-Excitation Green...+Signal White...-Signal
Rated Excitation:	10-12V DC (15V maximum)	Warranty:	1-year limited warranty
Input Resistance:	800 +/- 50 ohm	Combined Error:	0.2% Full Scale
Output Resistance:	702 +/- 3 ohm		

TECHWEIGH