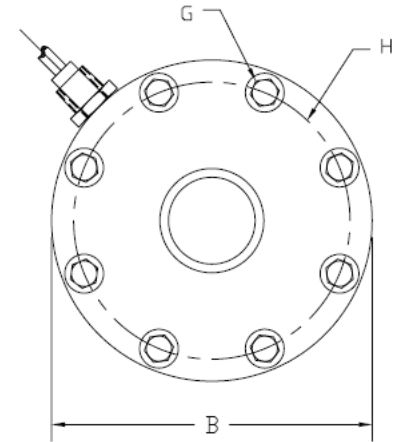
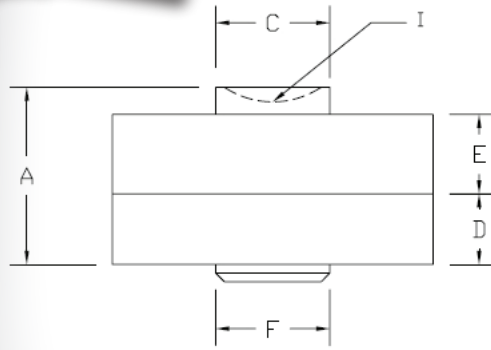
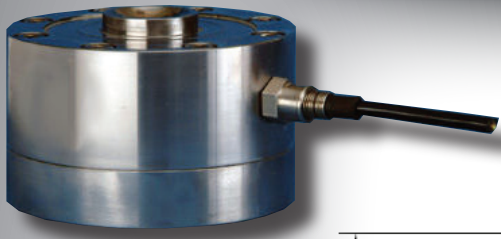


TWLF5B-A



DIMENSIONS

Rated Capacity	A	B	C	D	E	F	G	H	I
5K - 10K	2.48	4.13	1.34	0.75	1.26	1.25	M6	3.56	0.62
25K - 50K	3.09	4.80	1.57	0.94	1.89	1.25	M8	4.13	0.87
100K	3.44	5.63	2.00	1.14	2.05	1.25	M10	4.76	.087

SPECIFICATIONS

Full Scale Output: 2.0 mV/V
 Temperature: Compensated range
 -14 deg. F to 104 deg. F
 -10 deg. C to 40 deg. C
 Safe Overload: 150% Full Scale
 Rated Excitation: 10-15V DC
 Bridge Resistance: 350 ohms
 Zero Balance: +/- 1.00 F.S.

Insulation Resistance: >5000megohms
 Cable Length: 10 ft.
 Cable Coloring:
 Red...+Excitation
 Black...-Excitation
 Green...+Signal
 White...-Signal
 Warranty: 1-year limited warranty

TECHWEIGH