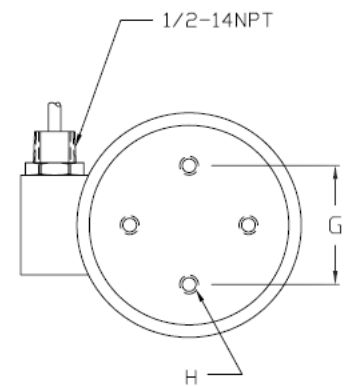
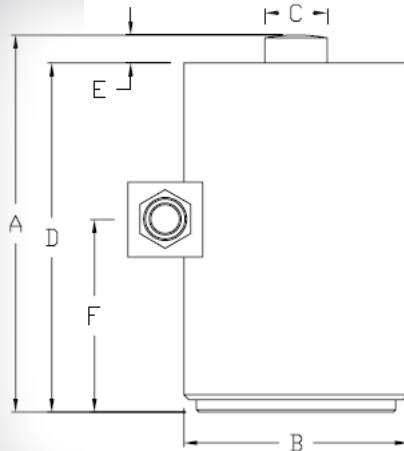


TWC2P1

INTERCHANGEABLE PRODUCTS:

- Artech 90405
- BLH C2P1
- HBM C10
- Fairbanks 3-38065-1, 3-38066-1, 3-38065-2, 3-38066-2
- Revere 792
- Sensortronics 65088-1114
- Streeter 20116 Series, 3761281
- Toledo 10049200A, 10014900A, 10011900A, 10049300A
- Totalcomp TC-C2P1
- Rice Lake RL8C2P1SS



DIMENSIONS

Rated Capacity	A	B	C	D	E	F	G	H
100K	9.13	6.00	1.75	8.25	0.71	4.75	4.00	1/2-20UNF x 0.75 deep

SPECIFICATIONS

Full Scale Output: 2.0 mV/V
 Temperature: Compensated range
 -14 deg. F to 104 deg. F
 -10 deg. C to 40 deg. C
 Safe Overload: 150% Full Scale
 Rated Excitation: 10-15V DC
 Bridge Resistance: 350 ohms
 Zero Balance: +/- 1.00 F.S.

Insulation Resistance: >5000megohms
 Cable Length: 50 ft.
 Cable Coloring: Red...+Excitation
 Black...-Excitation
 Green...+Signal
 White...-Signal
 Warranty: 1-year limited warranty

TECHWEIGH