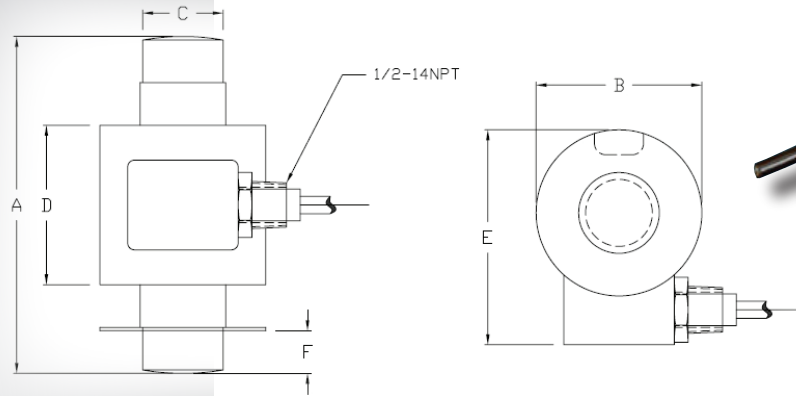


TW-C16

INTERCHANGEABLE PRODUCTS:

- HBM C16



DIMENSIONS

Rated Capacity	A	B	C	D	E	F
15T - 40T	5.90	3.00	1.73	3.23	4.00	0.62
50T - 60T	8.26	3.00	1.73	3.23	4.00	0.62

SPECIFICATIONS

Full Scale Output: 2.0 mV/V
 Combined Error: 0.02% F.S / 0.03% F.S.
 Temperature: Compensated range
 -22 deg. F to 158 deg. F
 -30 deg. C to 70 deg. C
 Safe Overload: 150% Full Scale
 Rated Excitation: 10-12V DC
 Bridge Resistance: 700 ohms
 Zero Balance: +/- 1.00 F.S.

Insulation Resistance: >5000megohms
 Cable Length: 10m (10T), 12m (15-25T),
 15m (30T), 16m (40-50T)
 Cable Coloring: Red...+Excitation
 Black...-Excitation
 Green...+Signal
 White...-Signal
 Warranty: 1-year limited warranty

TECHWEIGH