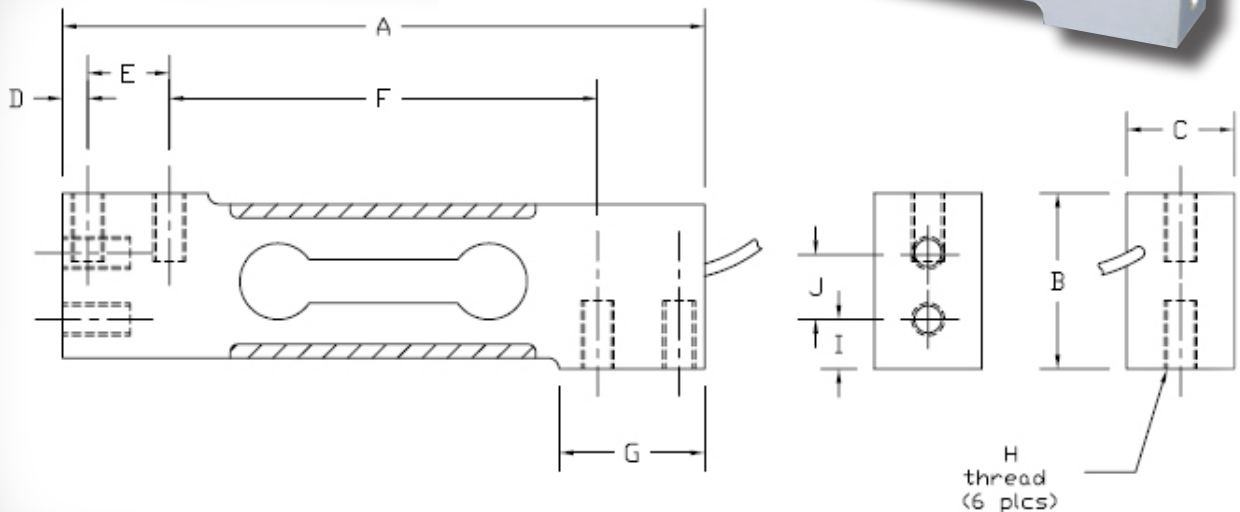
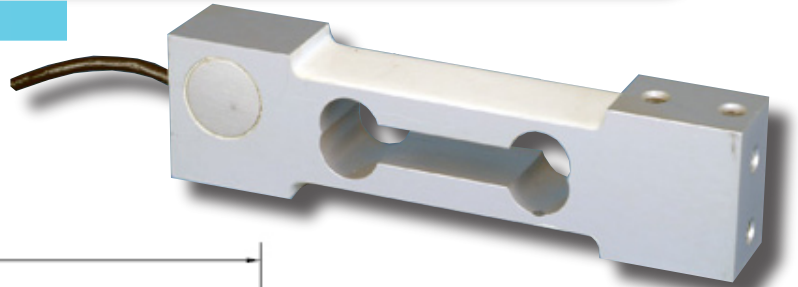


TWAMIB

INTERCHANGEABLE PRODUCTS:

- NTEP
- Factory Mutual



DIMENSIONS

Rated Capacity	A	B	C	D	E	F	G	H	I	J
3 - 3- Kg	5.91	1.575	0.787	0.24	0.75	3.937	1.339	1/4-20UNC	0.35	0.75
50 - 100 Kg	5.91	1.575	0.992	0.24	0.75	3.937	1.339	1/4-20UNC	0.35	0.75

SPECIFICATIONS

Full Scale Output: 2.0 mV/V
 Temperature: Compensated range
 -14 deg. F to 104 deg. F
 -10 deg. C to 40 deg. C
 Safe Overload: 150% Full Scale
 Rated Excitation: 10-15V DC
 Bridge Resistance: 350 ohms
 Zero Balance: +/- 1.00 F.S.

Insulation Resistance: >5000megohms
 Cable Length: 10 ft.
 Cable Coloring:
 Red...+Excitation
 Black...-Excitation
 Green...+Signal
 White...-Signal
 Warranty: 1-year limited warranty

TECHWEIGH