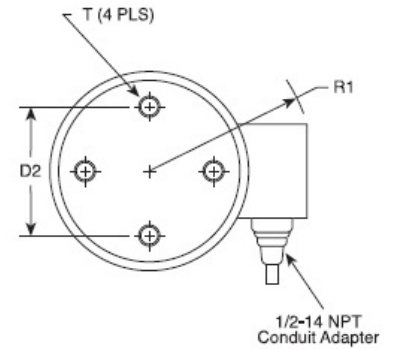
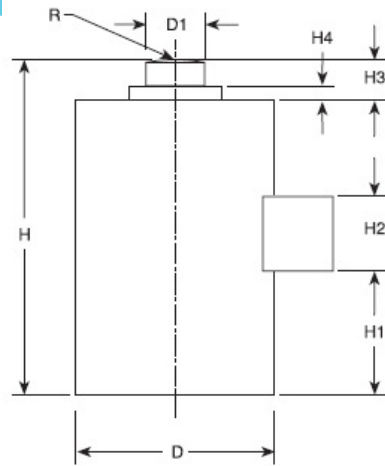


TW892

INTERCHANGEABLE PRODUCTS:

- Revere 792 Compression Canister
- Rice Lake RL8C2P1



DIMENSIONS

Rated Capacity	D	D1	D2	H	H1	H2	H3	H4	R	R1	T
lb/inches											
50K	4.50	1.25	2.38	7.50	3.06	1.60	.75	.25	6.00	3.75	3/8-24 UNFX .63DP
100K	5.75	1.75	4.00	9.13	2.60	1.60	1.05	.17	12.00	4.05	1/2-20 UNFX .75DP
200K	7.50	2.50	5.50	11.63	3.95	1.60	.97	.17	12.00	5.11	5/8-18 UNFX 1.00DP
kg/mm											
50K	114.3	31.8	58.4	190.5	77.7	40.6	19.1	6.4	152.4	95.3	3/8-24 UNFX 16.0DP
100K	146.1	44.5	101.6	231.0	66.0	40.6	26.6	4.3	304.8	102.0	1/2-20 UNFX 10.1DP
200K	190.5	63.5	139.7	295.4	100.3	40.6	24.6	4.3	304.8	129.8	5/8-18 UNFX 25.4DP

SPECIFICATIONS

Full Scale Output: 2.0 mV/V
 Bridge Resistance: 350 ohms, nominal
 Temperature: Compensated range
 14 deg. F to 104 deg. F
 -10 deg. C to 40 deg. C
 Safe Overload: 150% Full Scale
 Rated Excitation: 10V DC (15V maximum)
 Non-repeatability: 0.01% Full Scale

Insulation Resistance: 5000megohms
 Cable Length: 35' / 10.7m
 Cable Coloring: Green...+Excitation
 Black...-Excitation
 White...+Signal
 Red...-Signal
 Clear...Shield
 Warranty: 1-year limited warranty

